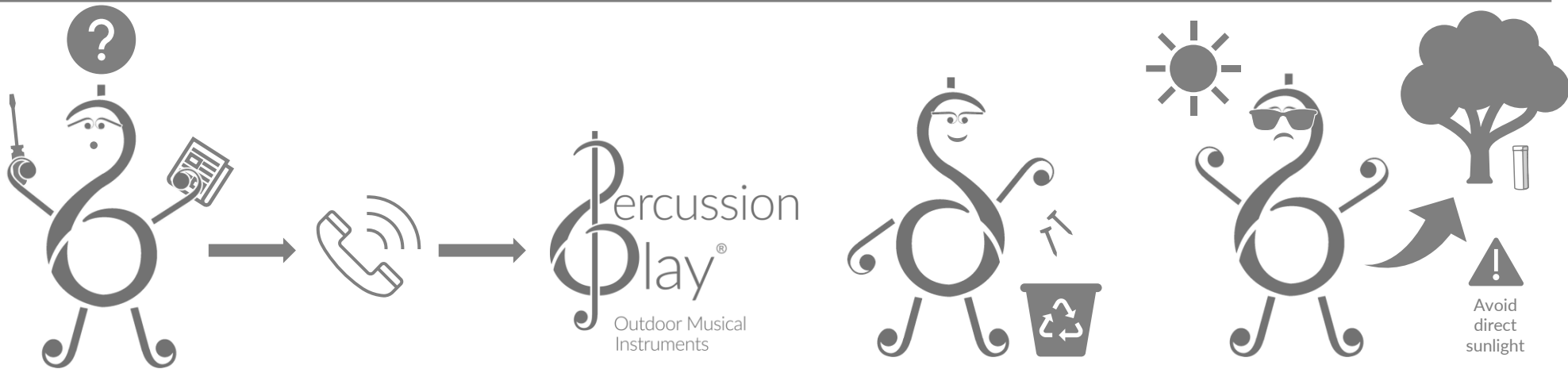
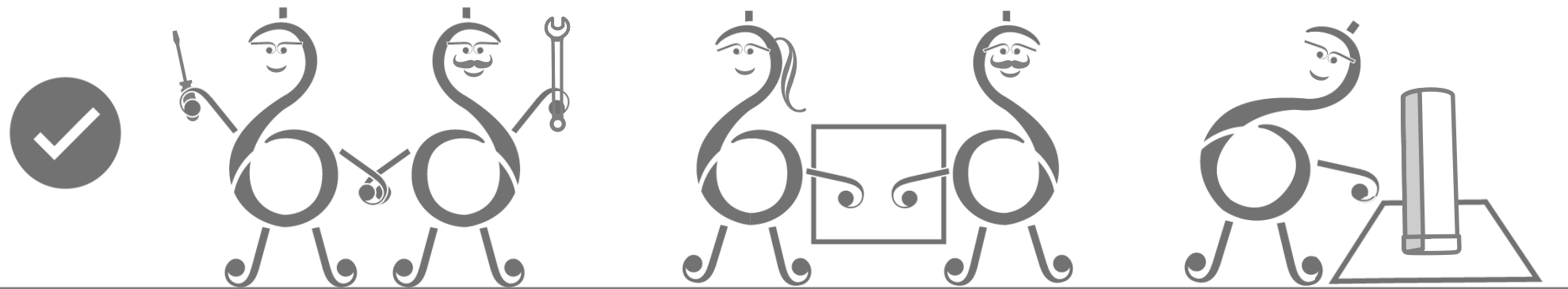
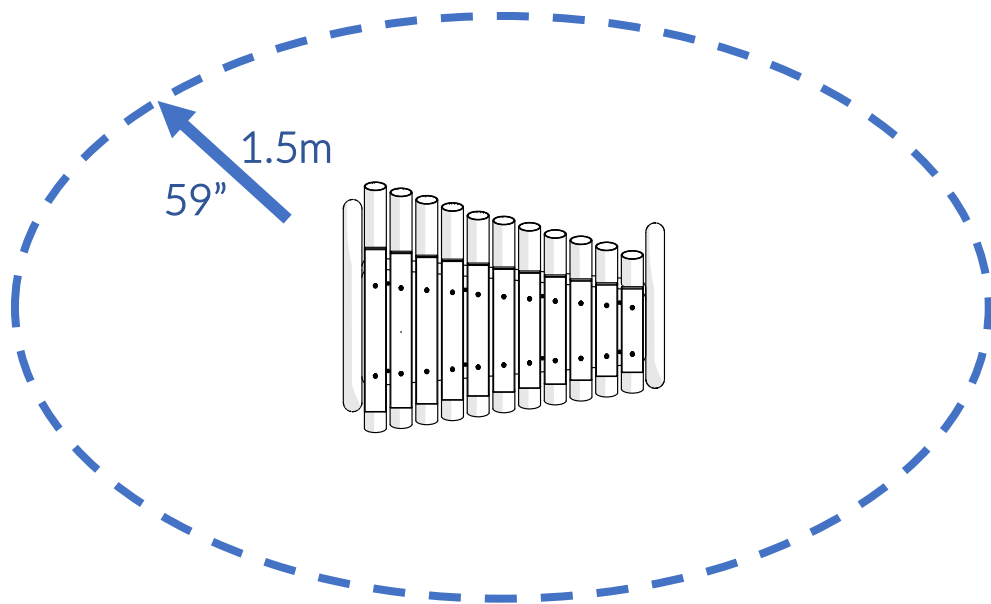


Part Reference	Description
PP-GMAR-SD-GR	Grand Marimba - (Ground Fix)

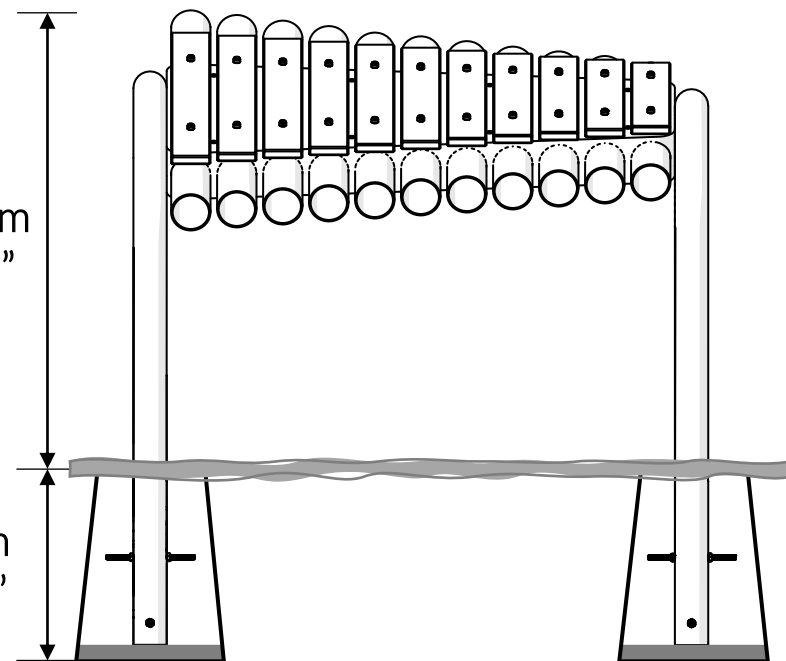






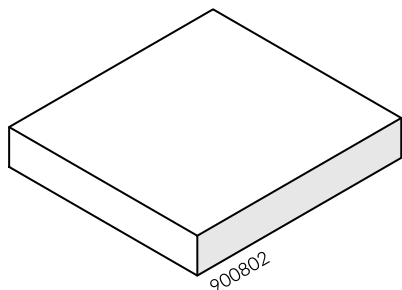
90 - 105cm  
35.5 - 41"

60 - 45cm  
23.5 - 18"

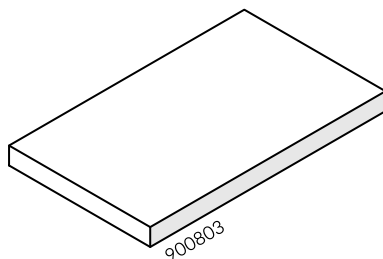


Check Risk Assessment

## Packages



x1

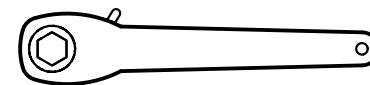


x1

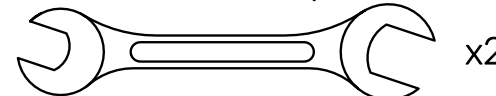
		L	W	H	Weight	Net
x1	900802	130cm / 51"	120cm / 47"	22cm / 8.5"	35kg / 77lbs	
x1	900803	150cm / 59"	90cm / 35.5"	11cm / 4.5"	15kg / 33lbs	

## Tools required (not supplied)

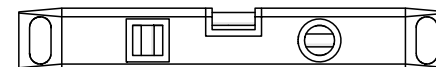
¼" Bit Driver Ratchet



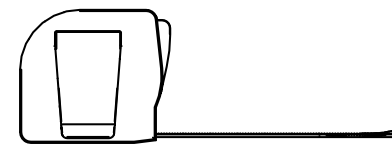
11/16" / 17mm Spanner


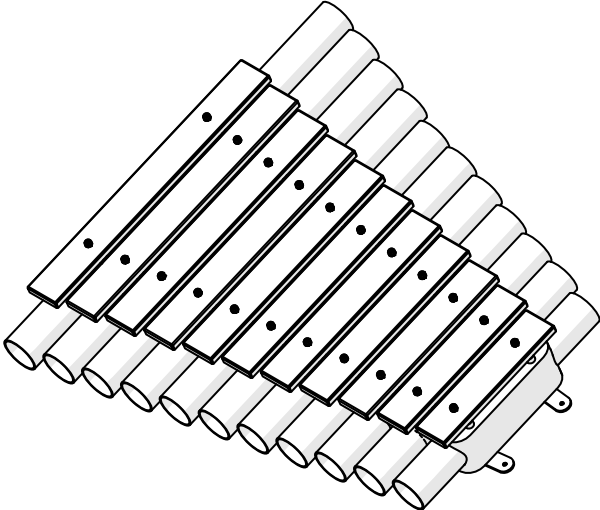

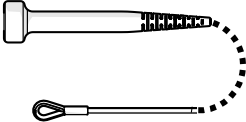
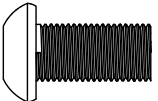
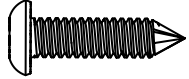
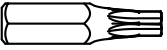
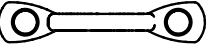

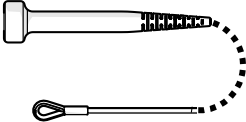
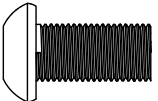
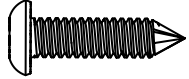
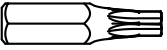
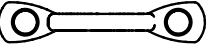

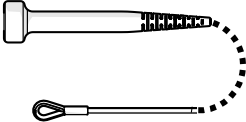
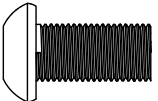
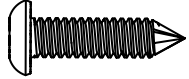
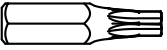
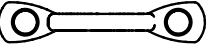



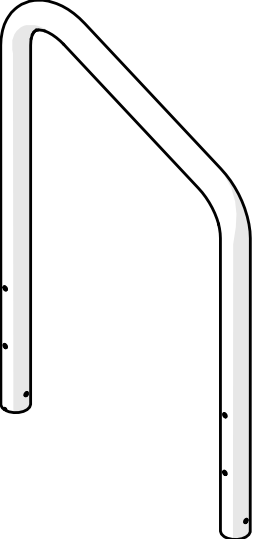
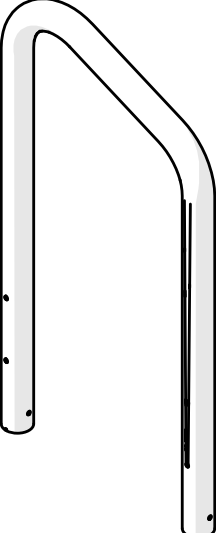
Spirit level



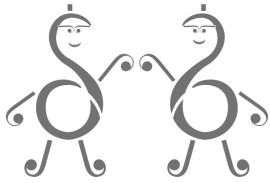
Tape Measure



900802							
 <b>(A)</b> x16 500457	<b>(1)</b> x1 						
 <b>(B)</b> x8 500627	<table border="1"> <tr> <td style="text-align: center;"> <b>(4)</b> x4            900832   </td> <td style="text-align: center;"> <b>(E)</b> x4            501203   </td> </tr> <tr> <td style="text-align: center;"> <b>(C)</b> x4            500460   </td> <td style="text-align: center;">           TX25 x1            500472   </td> </tr> <tr> <td style="text-align: center;"> <b>(D)</b> x2            603150   </td> <td style="text-align: center;">           TX45 x1            500720   </td> </tr> </table>	<b>(4)</b> x4 900832 	<b>(E)</b> x4 501203 	<b>(C)</b> x4 500460 	TX25 x1 500472 	<b>(D)</b> x2 603150 	TX45 x1 500720 
<b>(4)</b> x4 900832 	<b>(E)</b> x4 501203 						
<b>(C)</b> x4 500460 	TX25 x1 500472 						
<b>(D)</b> x2 603150 	TX45 x1 500720 						

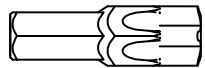
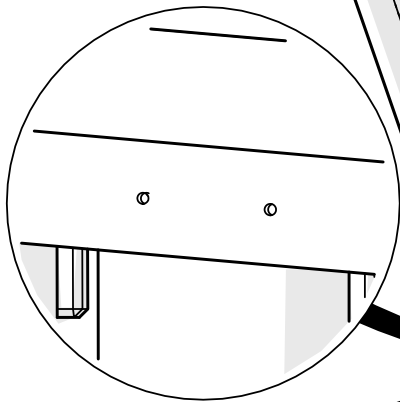
900803	
<b>(2)</b> x1 L 	
<b>(3)</b> x1 R 	

**1.**



**1.1**

3



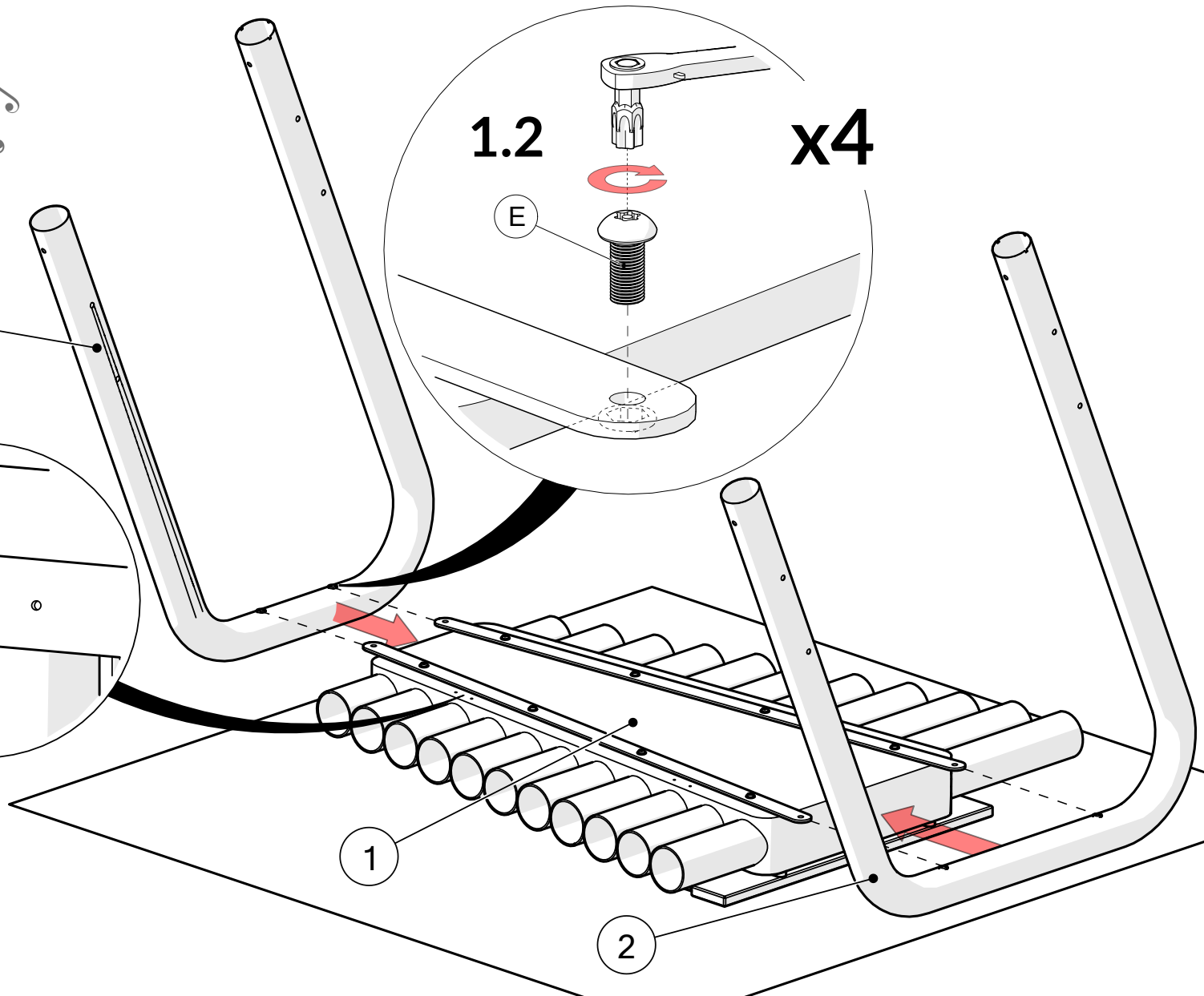
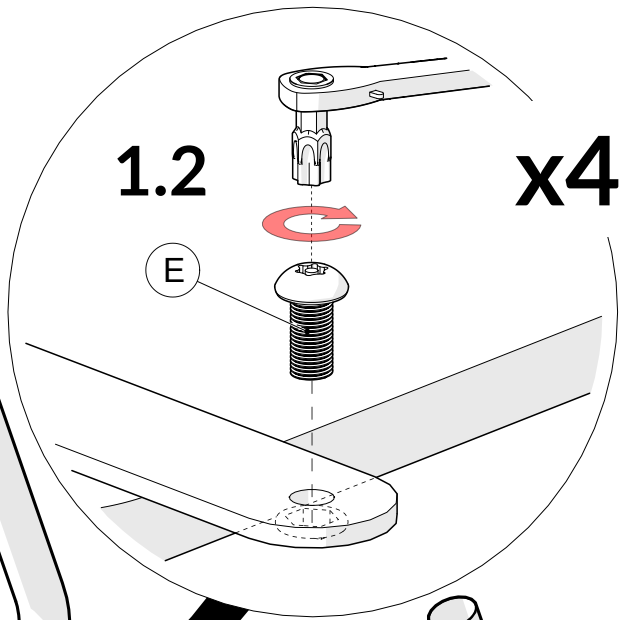
TX45

E		x4
---	--	----

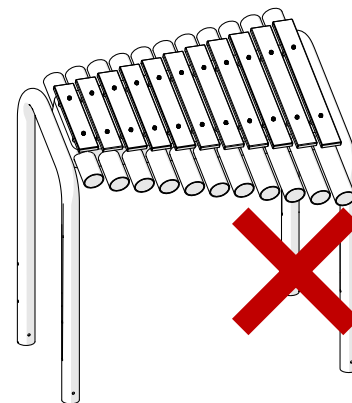
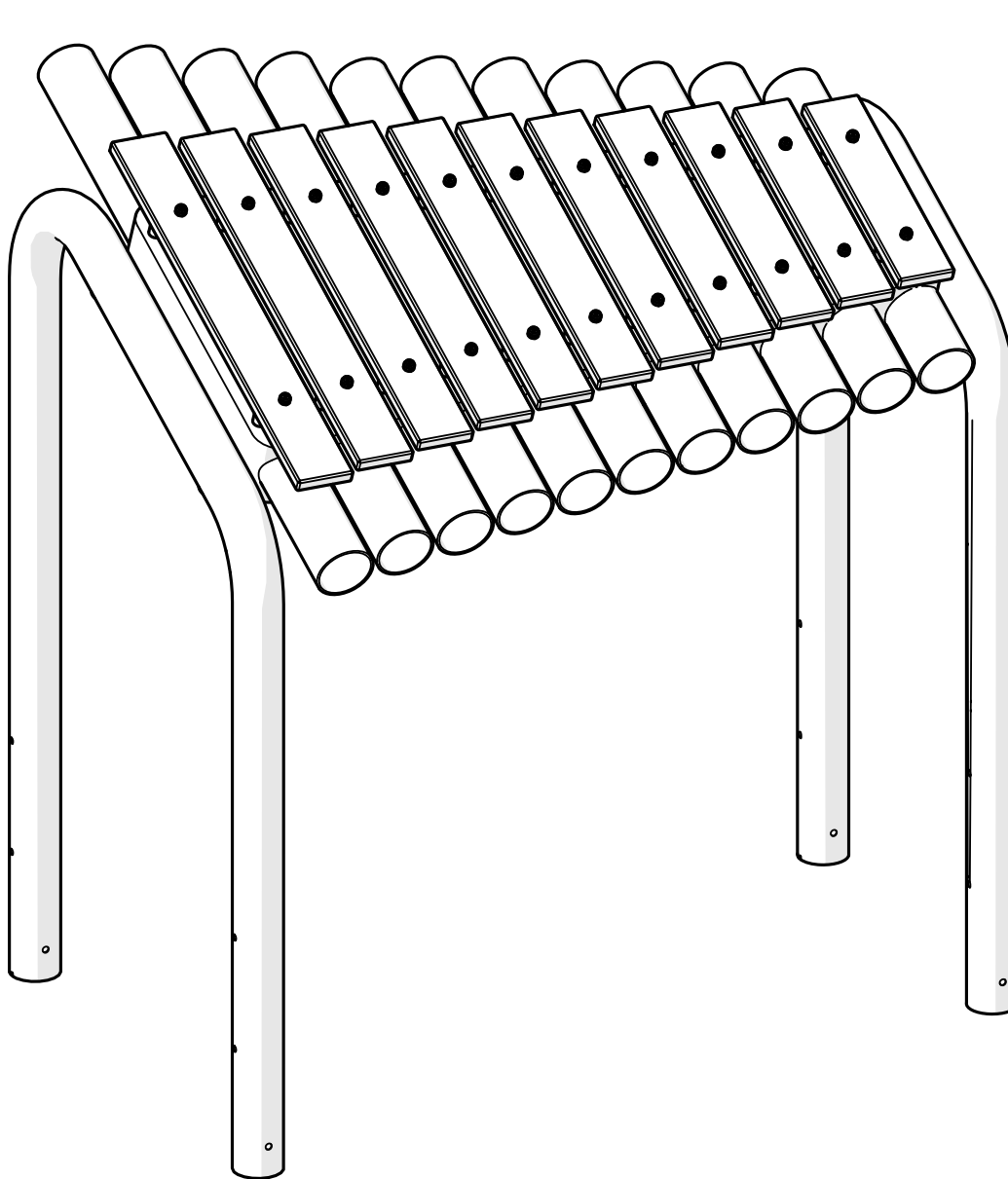
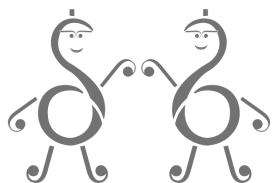
**1.2**

**x4**

E

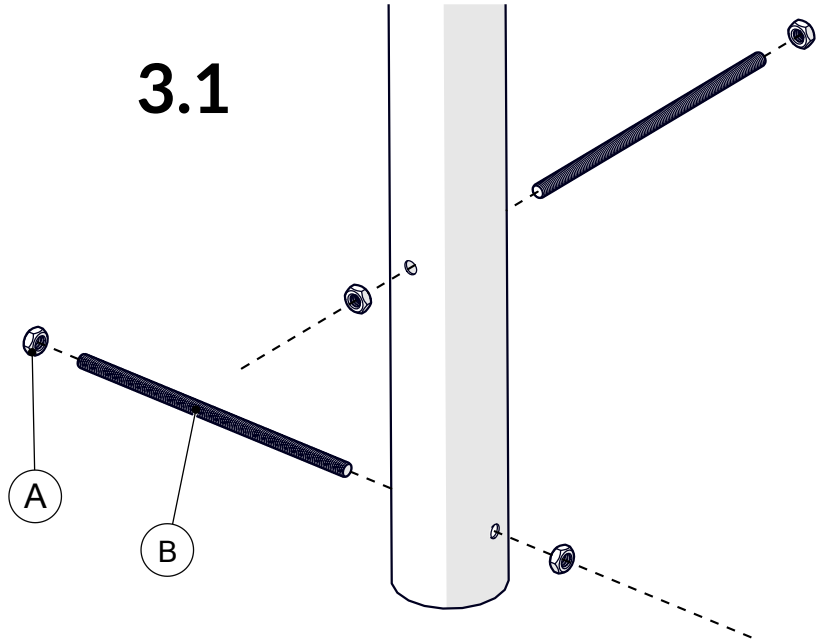


2.

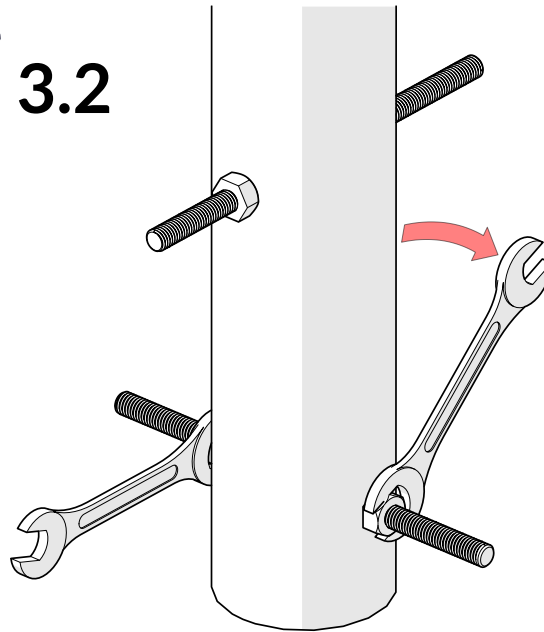


# 3. x4

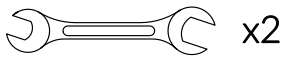
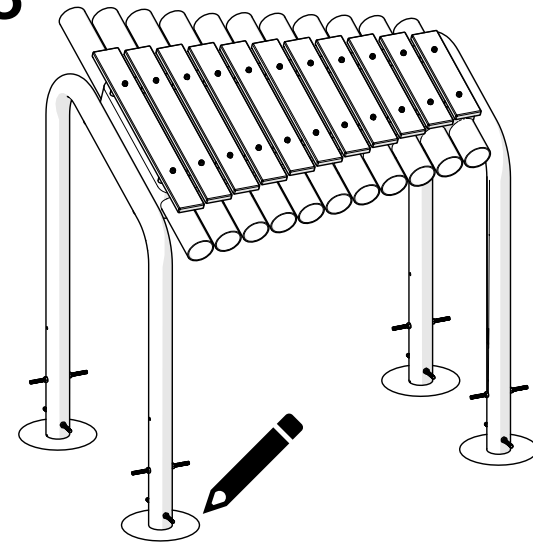
3.1




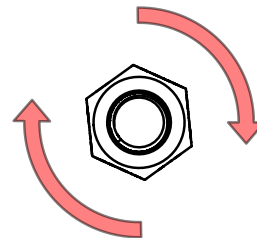
3.2



3.3

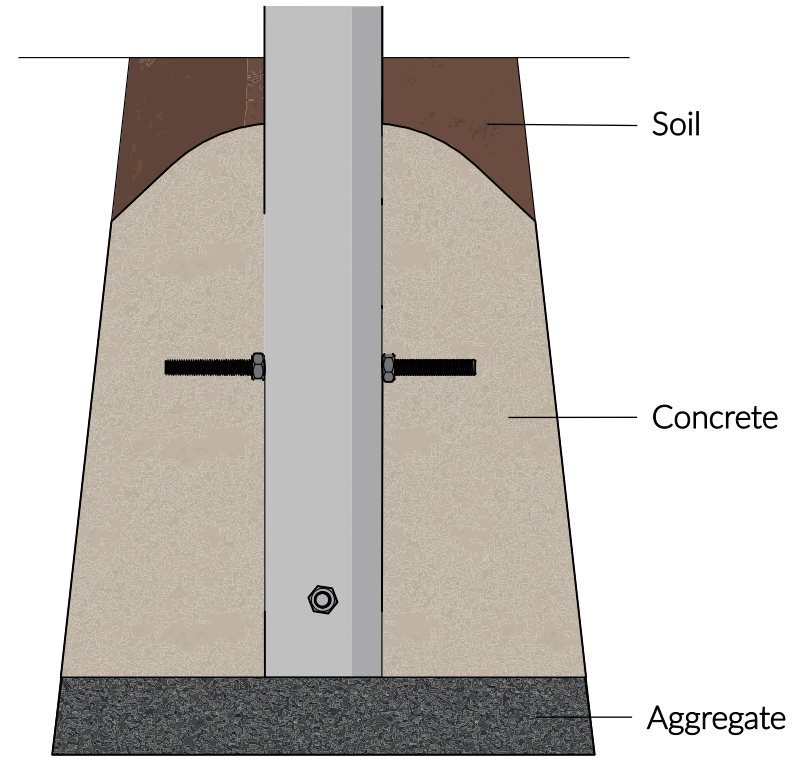
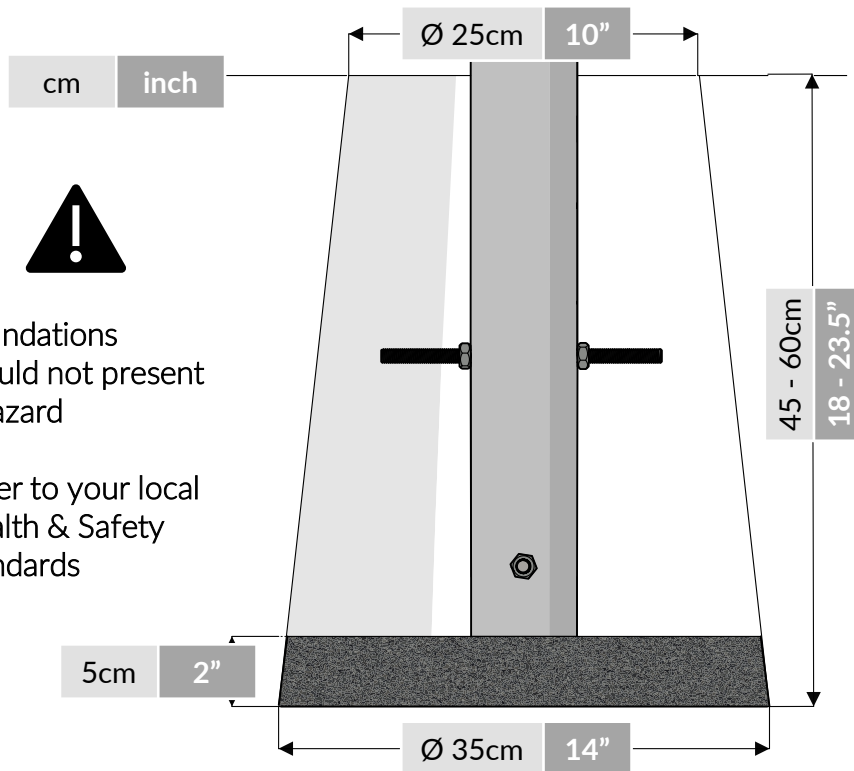
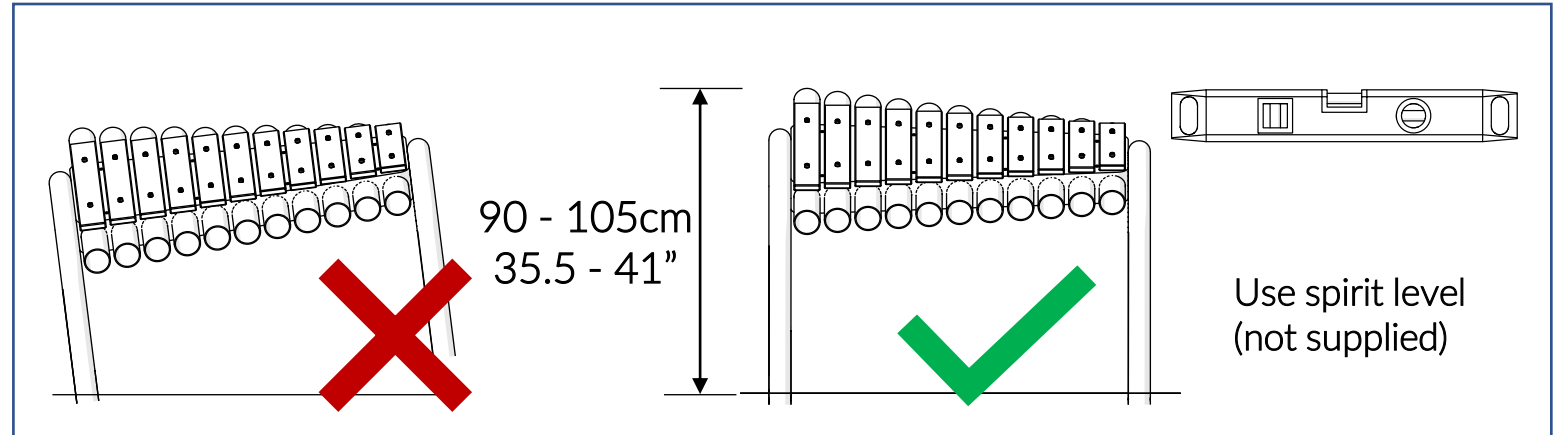


A		x16
B		x8



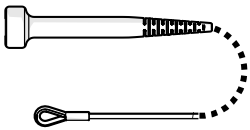
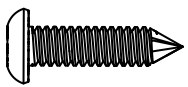
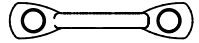


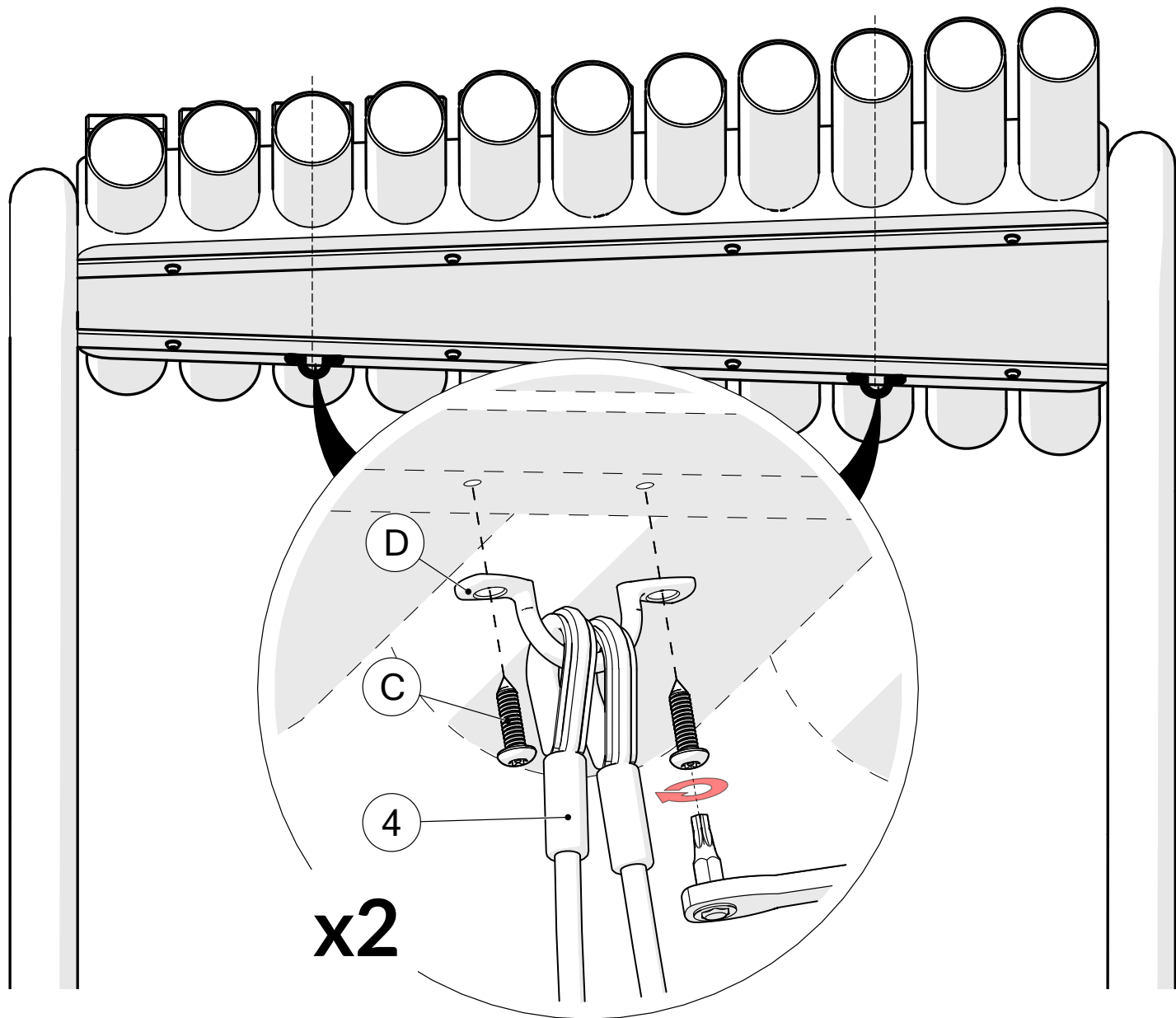
# 4. x4

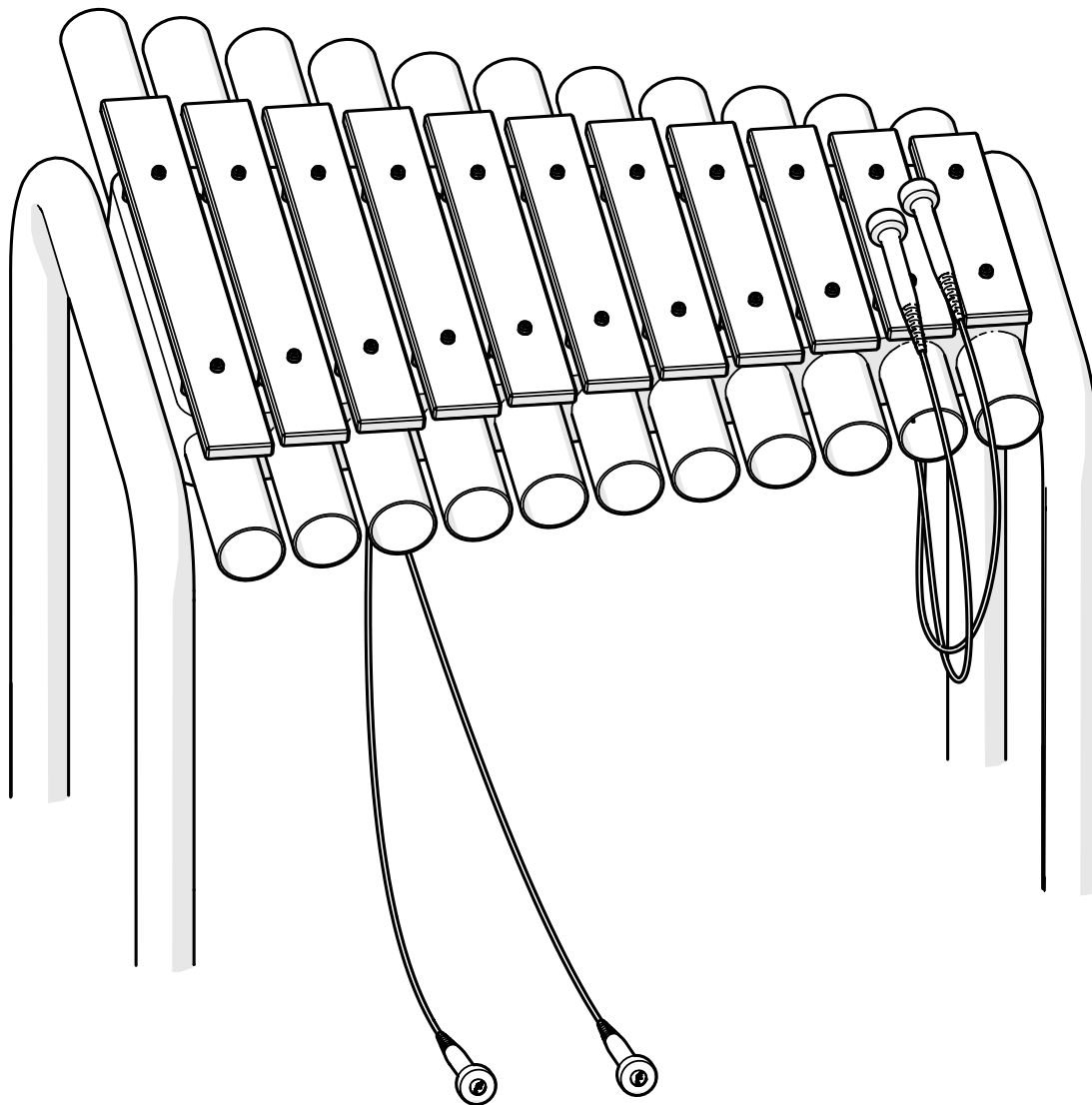


# 5.



4		x4
C		x4
D		x2





[percussionplay.com](http://percussionplay.com)



[info@percussionplay.com](mailto:info@percussionplay.com)



UK  
[01730 235 180](tel:01730235180)

USA & CAN  
[+1 \(866\) 882 9170](tel:+18668829170)

EUR & ROW  
[+44 1730 235 180](tel:+441730235180)