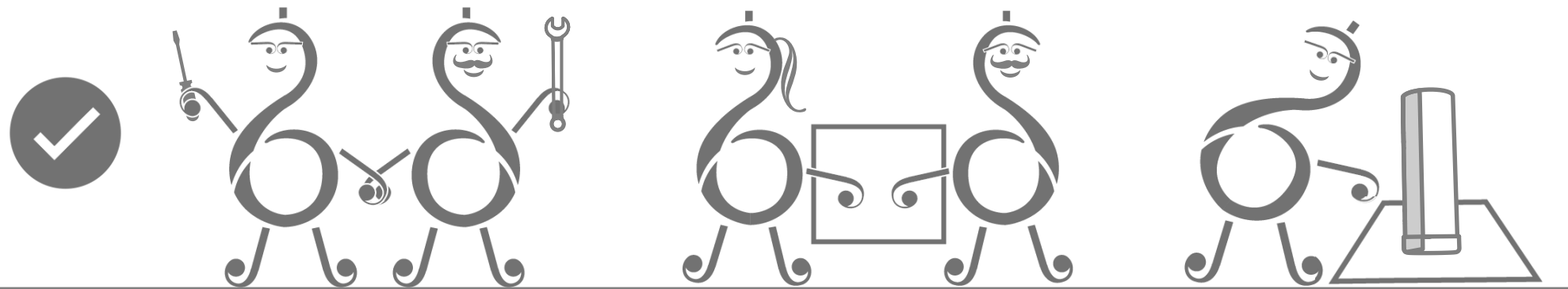
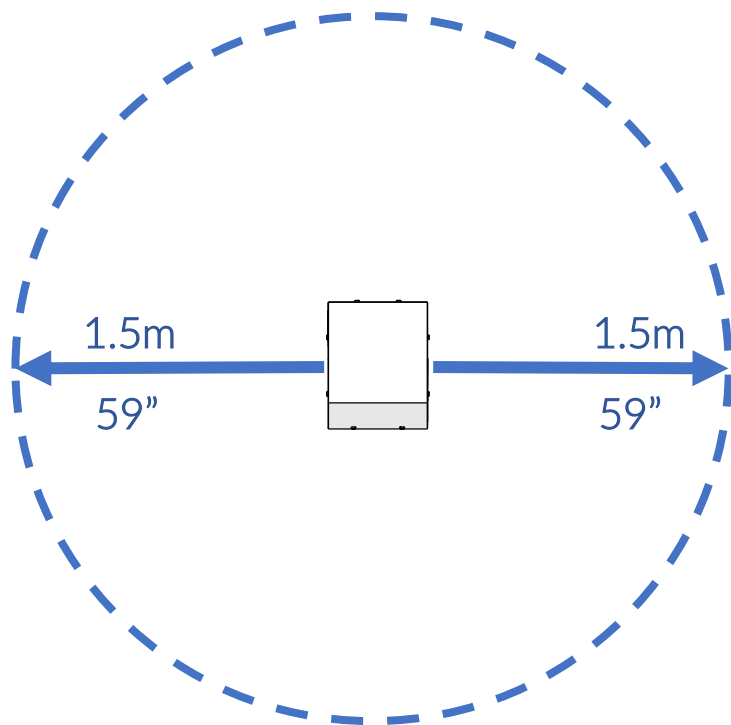


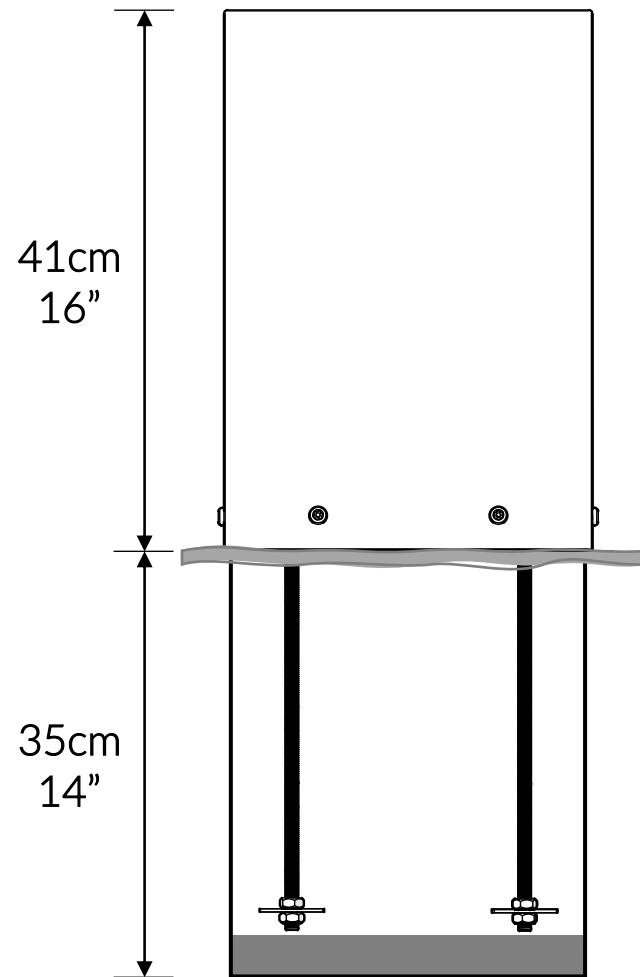
Part Reference	Description
PP-CAJO-EA-GR	Cajon (Ground Fix)



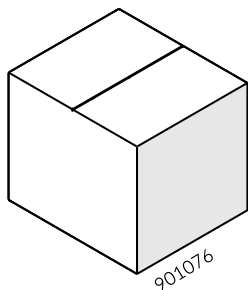




Check Risk Assessment



Packages

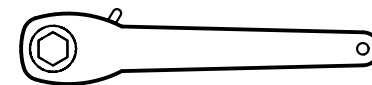


x1

		L	W	H	Weight	Net
x1	901076	50cm / 20"	43cm / 17"	43cm / 17"	20kg / 44lbs	16kg / 35lbs

Tools required (not supplied)

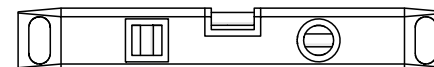
¼" Bit Driver Ratchet



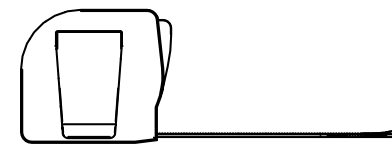
11/16" / 17mm Spanner

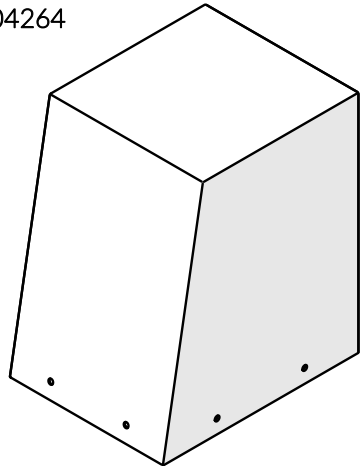
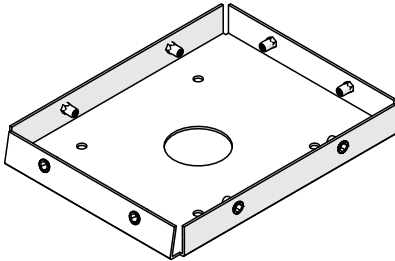
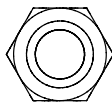

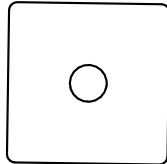
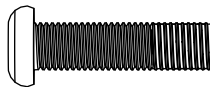

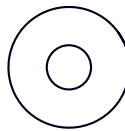
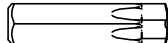


Spirit level






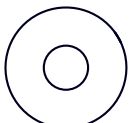
Tape Measure

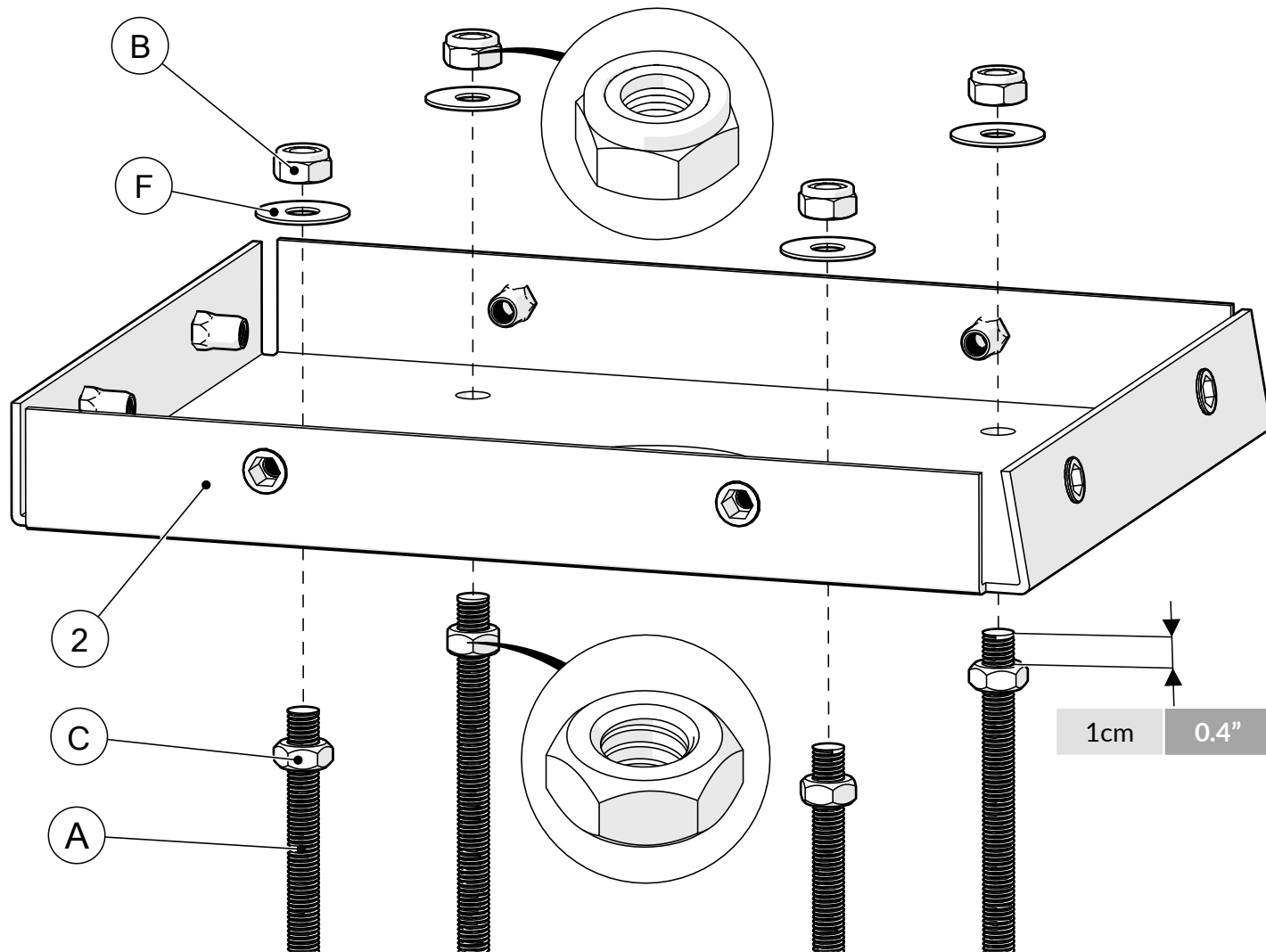


901076			
<p>① x1 804264</p> 	<p>② x1 601032</p> 	<p>ⓑ x4 500612</p> 	<p>ⓒ x12 500457</p> 
		<p>ⓓ x4 500685</p> 	<p>ⓔ x8 502451</p> 
<p>Ⓐ x4 505465</p> 			<p>Ⓕ x4 500444</p> 
			<p>TX40 x1 500474</p> 

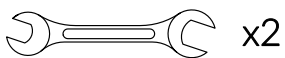
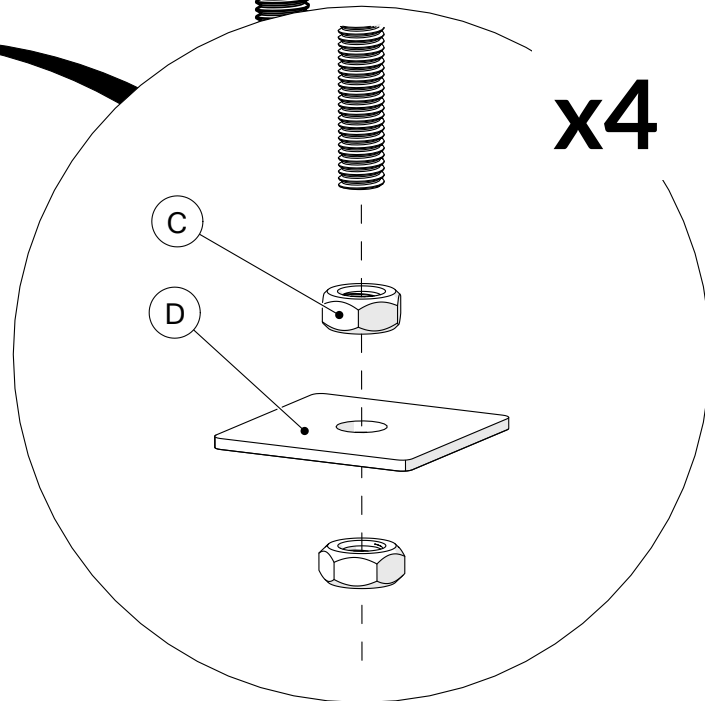
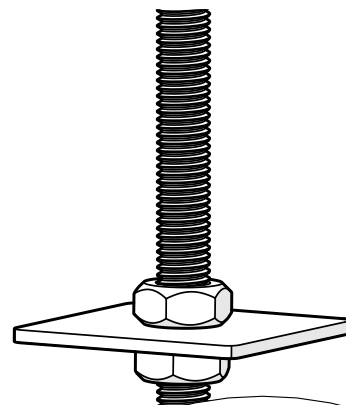
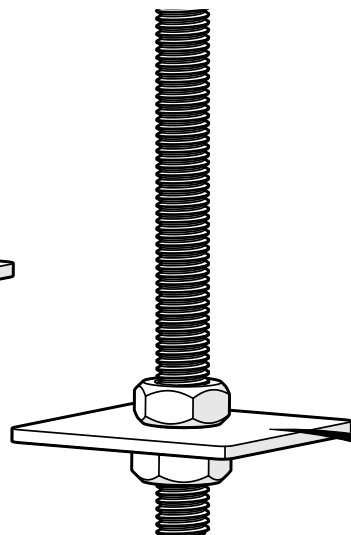
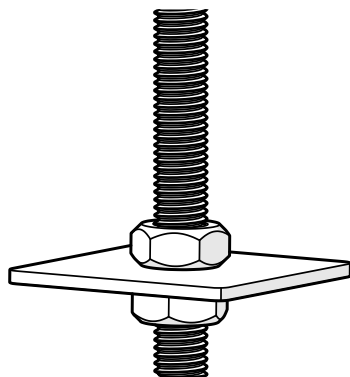
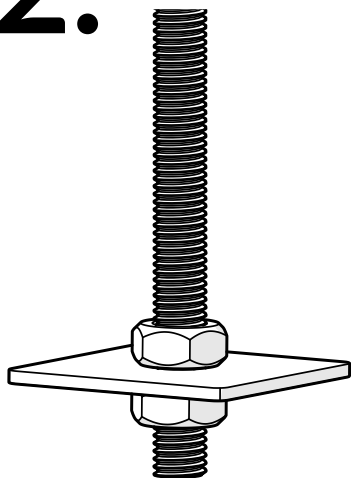
1.


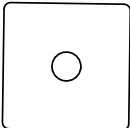


A		x4
B		x4
C		x4
F		x4



2.



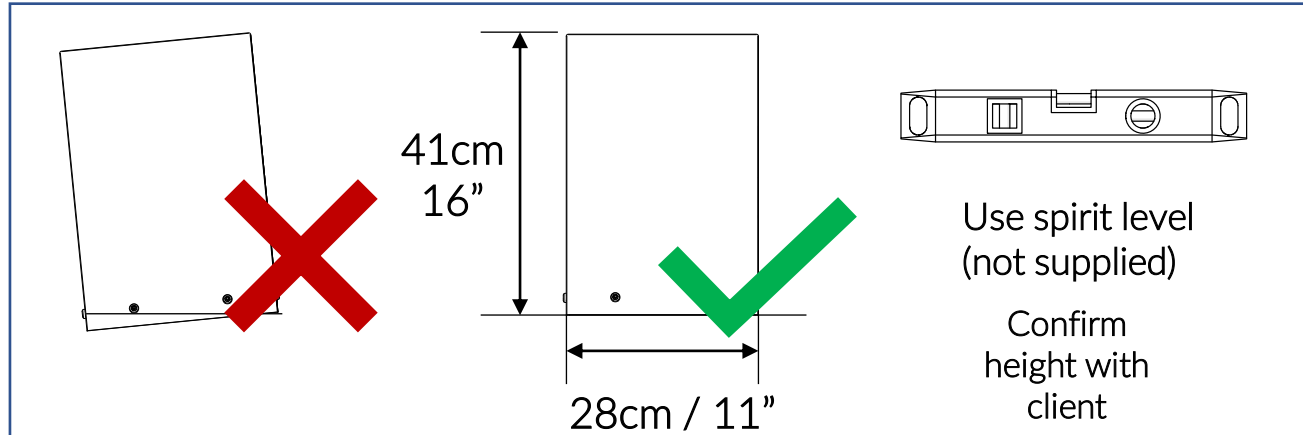
C		x8
D		x4

3.

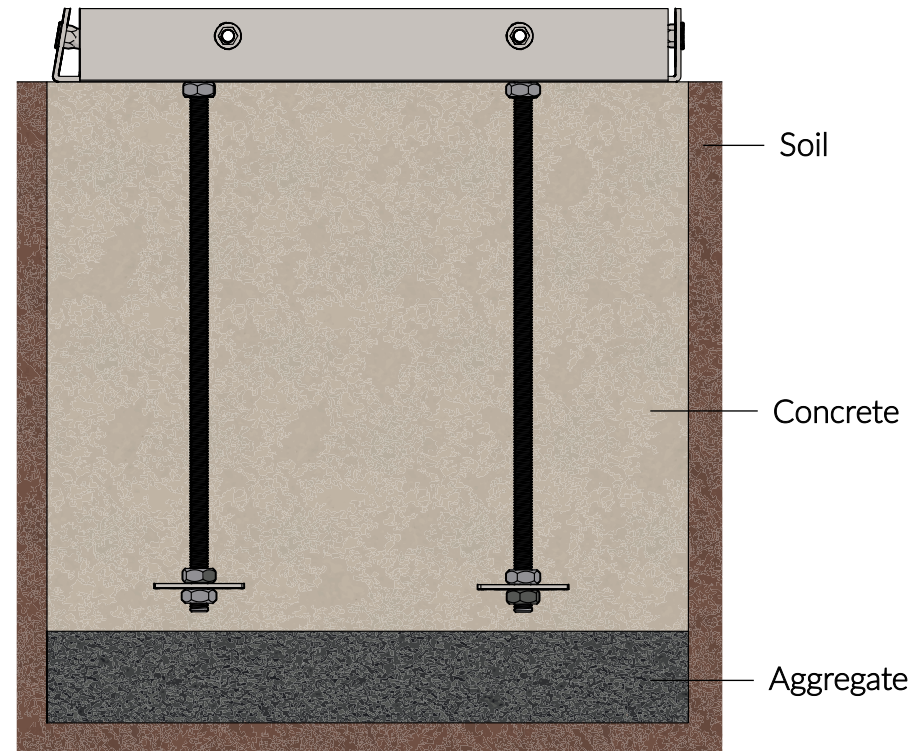
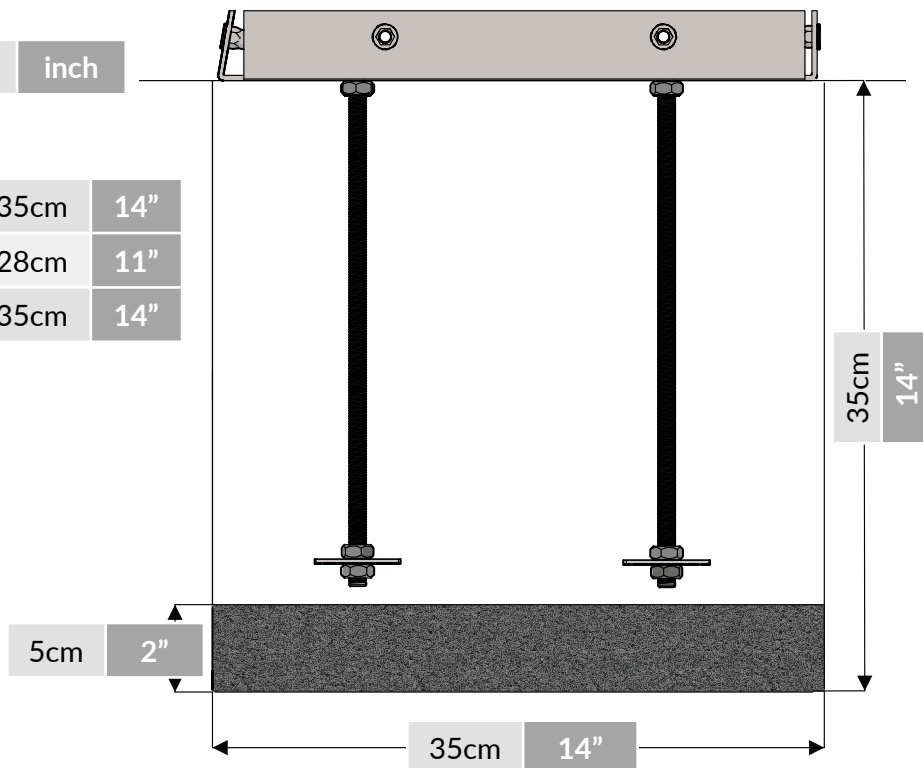


Foundations should not present a hazard

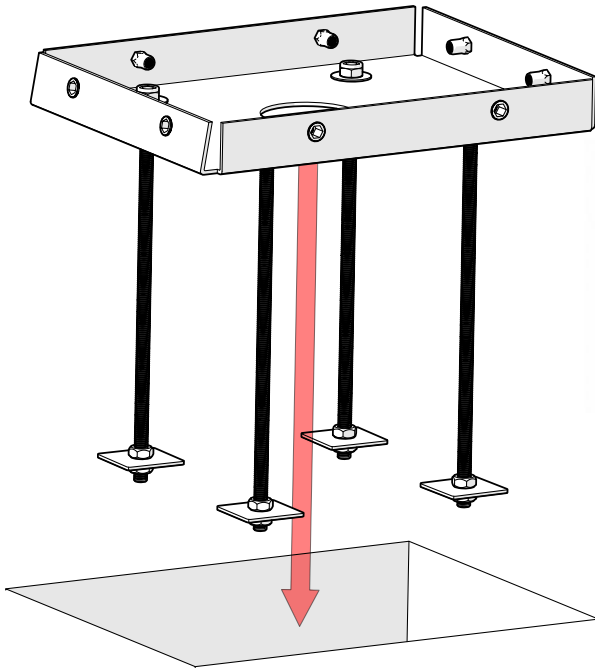
Refer to your local Health & Safety standards



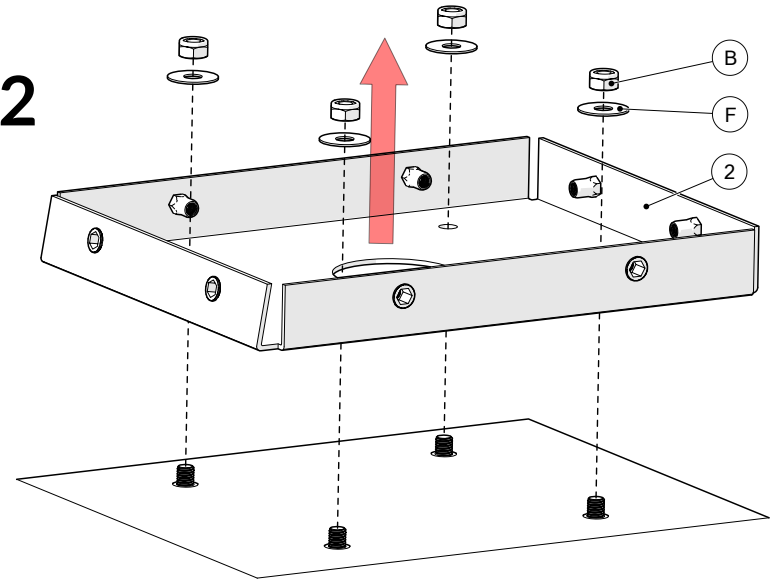
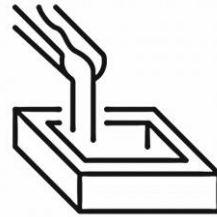
	cm	inch
L	35cm	14"
W	28cm	11"
D	35cm	14"



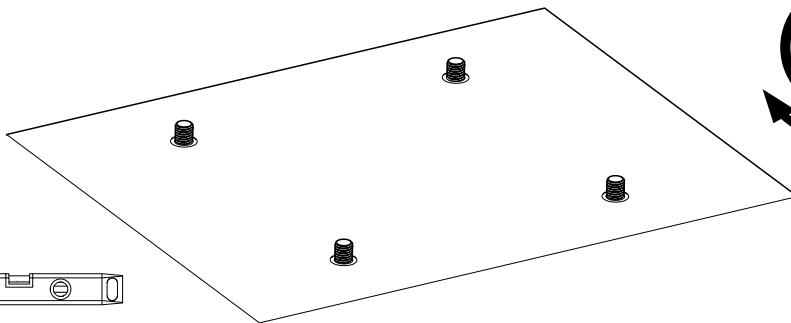
3.1



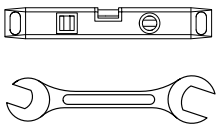
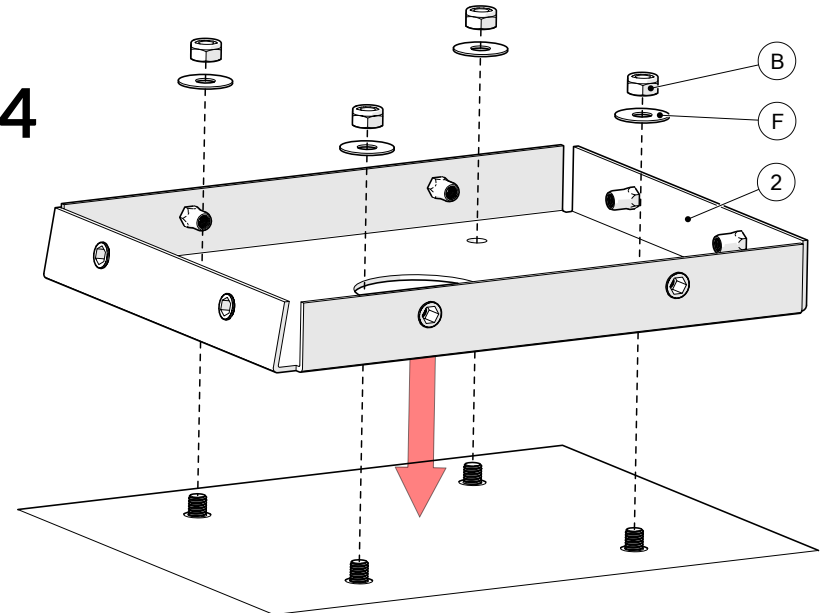
3.2



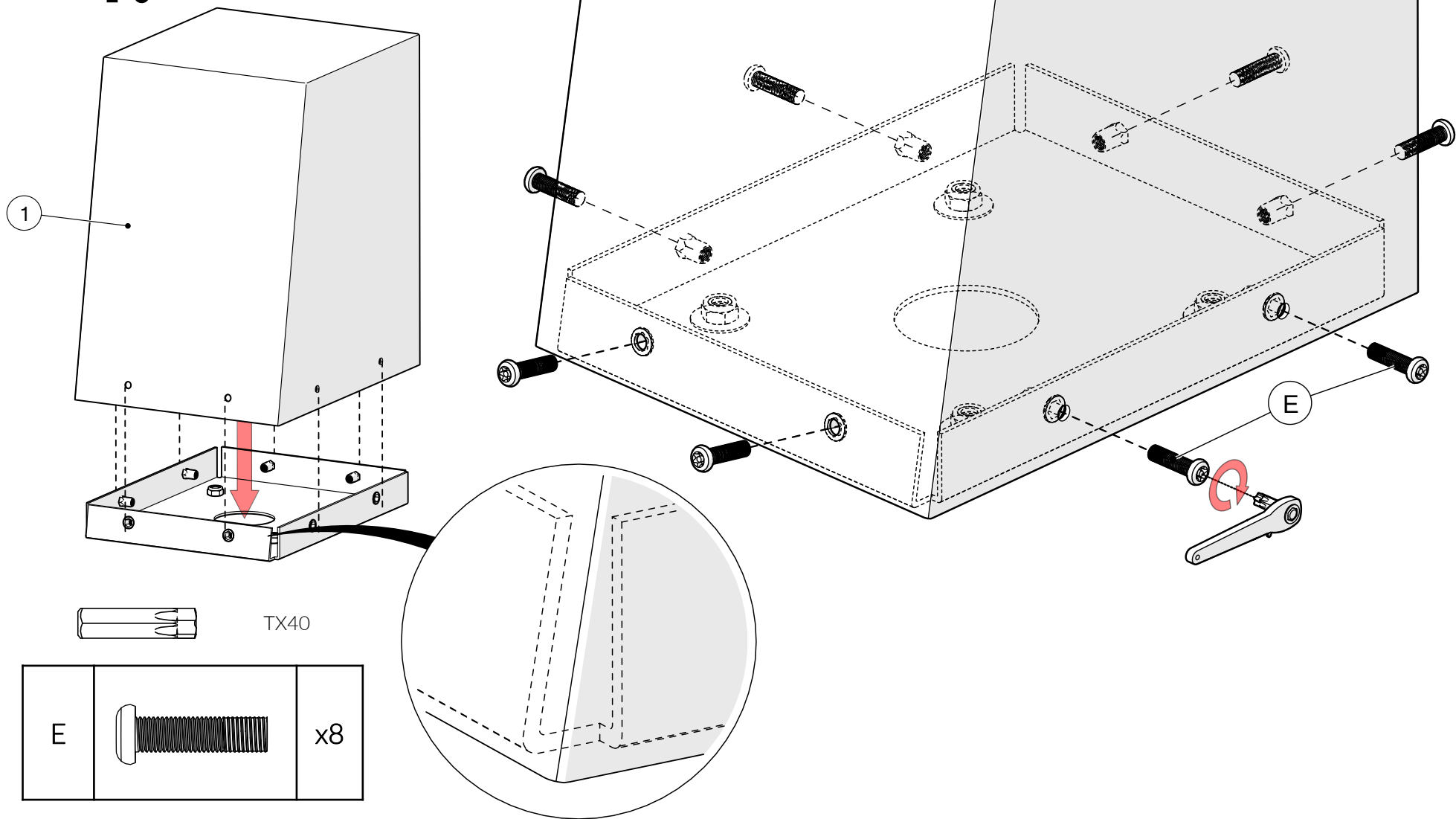
3.3

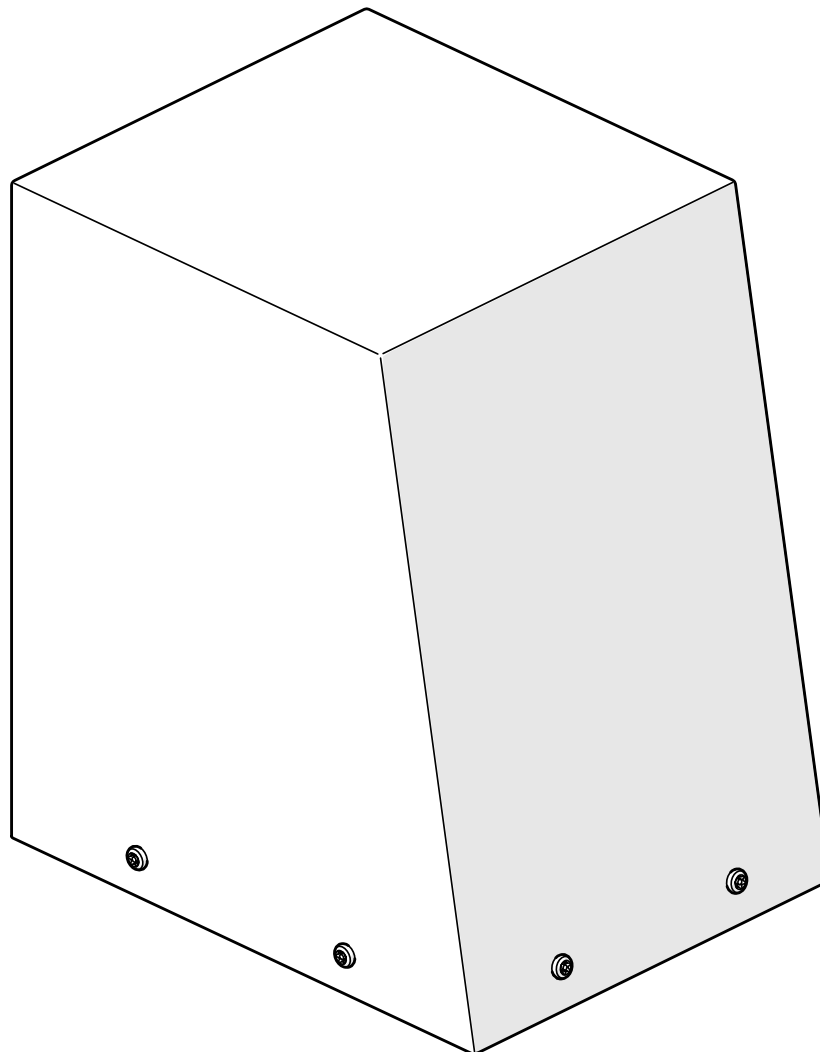


3.4



4.





percussionplay.com



info@percussionplay.com



UK
[01730 235 180](tel:01730235180)

USA & CAN
[+1 \(866\) 882 9170](tel:+18668829170)

EUR & ROW
[+44 1730 235 180](tel:+441730235180)